

Contact resistance thermometer - Type TP30 / TW39 ... T238 -



- NO CONTACT WITH THE MEDIUM
- HEAD-SENSITIVE INSTALLATION OF THE MEASURING RESISTANCE FOR OPTIMAL TEMPERATURE RECORDINGS
- THE MEASURING POINT CAN BE RETROFITTED
- OPTIONALLY WITH CABLE CONNECTION OR HEAD TRANSMITTER
- CAN BE SERVICED DURING OPERATION

DESCRIPTION

The temperature sensors have been specially designed to record the surface temperatures of resting media, e.g. tanks. The pressure with which the movable sensor tip is pressed against the surface (which may be uneven) optimises adaptation to the measuring point and guarantees recording of the surface temperatures during stationary processes, in combination with the head-sensitive, installed Pt100 measuring element.

The system is easy to install via the G $\frac{1}{2}$ welding socket, which - depending on the prevailing installation options - can be selected for installation either on top of or flush with the wall of the tank. Thermal conductance paste is recommended to improve heat transmission.

The resistance thermometers can be delivered either with a directly connected cable or with a stainless steel field housing and can also be used outdoors, as they fall into protective category IP 67. Single or double PT100 temperature sensors according to EN 60751, Class A, guarantee a high degree of accuracy. Optional programmable measuring transducers can be used for longer transmission routes.

TECHNICAL DATA

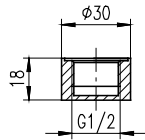
Connection head / housing	Stainless steel field housing H, 1.4301 Cable version: 1 m fixed silicon cable, other types and lengths on request	
Protection type EN 60529	IP 67	
Process connection	G $\frac{1}{2}$ B-threaded connection \varnothing 6mm measuring tip, spring-loaded up to 4 mm	
Material	Stainless steel Material No. 1.4571	
Insulation	PEEK	
Temperature sensor	Standard: 1 x 3-wire PT100 according to EN 60751, Class A, Options: Class B 1/3 DIN or B 1/10 DIN Single or double PT100 in a 2- or 3-wire circuit, Single PT100 in a 4-wire circuit	
Application temperature	-50... + 250°C	
Response times	Measuring conditions, medium: Water (stationary process) T50 = 3.5 s, T90 = 11 s - depends on installation situations	
Operating pressure p	unpressurised	
Two-wire measuring transducer	programmable	Data sheet type TE32, TE41/42, TE52/HART, TE82/Profibus PA
Accessories:	(please order separately)	
	Item No. 06002211 - closed welding socket, \varnothing 30 mm, G $\frac{1}{2}$ B-threaded connection, Material No. 1.4571	
	Item No. 06002059 - open welding socket, \varnothing 30 mm, G $\frac{1}{2}$ B-threaded connection, Material No. 1.4571	
	VARIVENT connection adaptor d = 68 mm	

T-TP30-D-e-1116-1/1

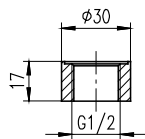
Contact resistance thermometer - Type TP30 / TW39 ... T238 -

DIMENSIONAL DRAWING

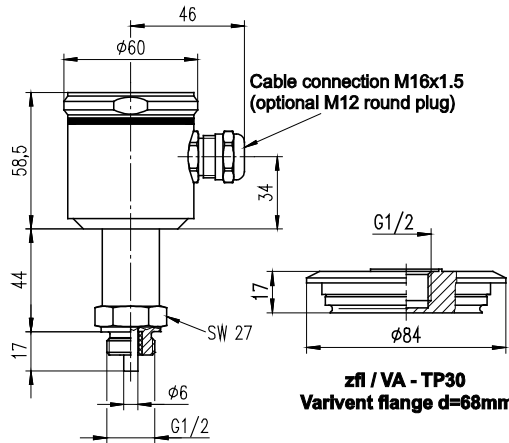
Accessories
Welding sockets
Material: 1.4571



closed
Item 06002211



opened
Item 06002059



ORDER INFORMATION

Sensor type, tolerance class, switch system

A	1 x PT 100, class A, 2-wire
B	1 x PT 100, class A, 3-wire
C	1 x PT 100, class A, 4-wire
D	2 x PT 100, class A, 2-wire
E	2 x PT 100, class A, 3-wire

Connection head

H	Field housing, 1.4301
3	Bayonet housing NG 63, 1.4301
1	Form B, aluminium pressure casting
Y	Cable output, 3 m standard
P	Raised field housing for Profibus version

Installation length / nominal length

90	4 mm spring-loaded
----	--------------------

Version output / measuring range

K0	00	Resistance output
L0		Transmitter 4-20 mA, 2-wire
P0		Profibus PA transmitter
	30	0 - 50° C
	40	0 - 100° C
	50	0 - 150° C
	60	0 - 200° C
	70	0 - 300° C
	80	0 - 400° C
	99	Other measuring ranges

TP30/TW39	<input type="checkbox"/>	<input type="checkbox"/>	90	<input type="checkbox"/>	<input type="checkbox"/>	T238
TP30/TW39	<input type="checkbox"/>	Y	90	K0	00	T238

Contact sensor
with 3m cable

Our products are constantly in further development, therefore subjects to modifications.