

# Pressure transmitter for standard applications - Type DME 11 -



- **OUTPUT SIGNAL 0 - 20 mA, 4 - 20 mA, 2-WIRE OR 0-10V DC, 3-WIRE**
- **PRESSURE-MEASURING RANGES FROM -1-0 TO 0-400 BAR**
- **FOR STANDARD APPLICATIONS, E.G. IN THE ENERGY FIELD**

## DESCRIPTION

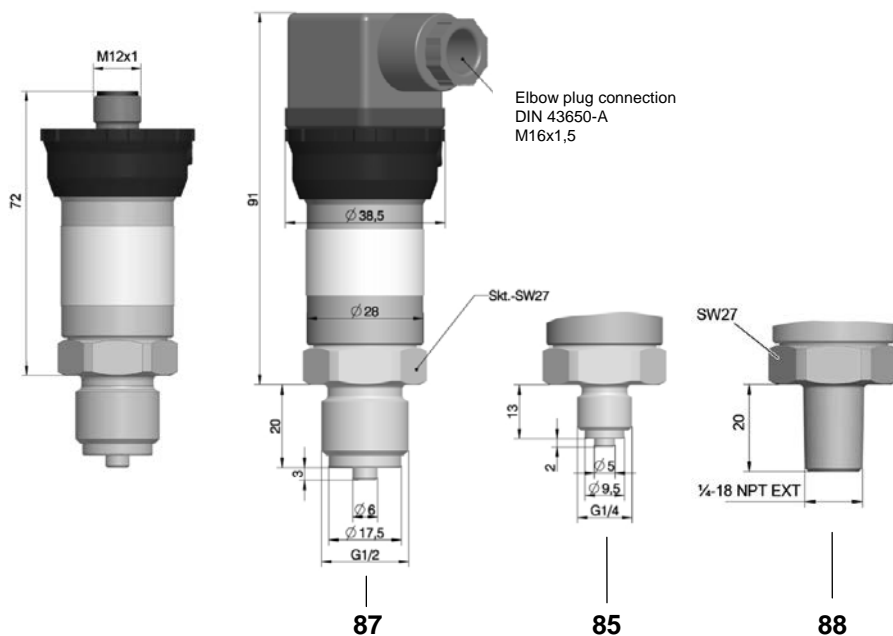
The Type DME 11 pressure transmitter with ceramic membrane is a cost-efficient pressure transmitter for standard applications, for example in the energy field. The measuring pressure acts directly on a ceramic membrane that deforms when pressure is applied. The electronic system integrated into the pressure transmitter housing converts the signal generated by the DMS connector on the ceramic membrane into a standard electrical output signal 0...20 mA, 4...20mA or 0...10V DC.

## TECHNICAL DATA

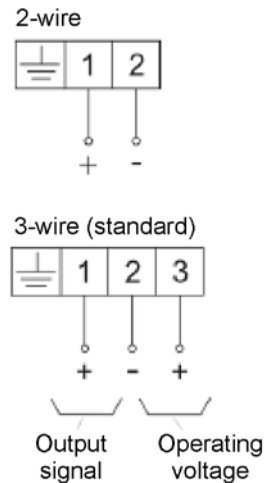
General information				
Device type	DME 11 for operating pressure			
Applications	Gases and liquids			
Measuring principle	DMS connector on ceramic membrane			
Input				
Type of pressure	Relative pressure (R)			
Nominal Measuring Range (bar)	<b>NMR</b>	<b>OPS</b>	<b>NMR</b>	<b>OPS</b>
	1,6 bar	5 bar	-1...0 bar	3 bar
OPS = Overload Pressure Safety	2,5 bar	8 bar	-1...0,6 bar	5 bar
	4 bar	12 bar	-1...1,5 bar	8 bar
	6 bar	20 bar	-1...3 bar	12 bar
	10 bar	32 bar	-1...5 bar	20 bar
	16 bar	50 bar	-1...9 bar	32 bar
	25 bar	80 bar	-1...15 bar	50 bar
	40 bar	120 bar	-1...24 bar	80 bar
	60 bar	200 bar		
Output				
Output signal	4...20 mA, 2-wire 0...10 V DC, 3-wire			
Working resistance	(U <sub>B</sub> -15V)/0.02A at 0...20 mA and 4...20 mA ≥ 5 kΩ from 15 V DC at 0...10 V DC ≥ 2 kΩ from 20 V DC at 0...10 V DC			
Current limit	approx. 26 mA and 4...20 mA approx. 10.5 V DC at 0...10 V DC			
Measuring accuracy				
Linearity	< 1% of the measuring range			
Hysteresis	< 0.5% of the measuring range			
Temperature coefficient	0.04 % FS/K for zero point 0.025% FS/K for measuring range			
Auxiliary energy				
Supply voltage	24 V DC			
Conditions for use				
Medium temperature	0°...85°C			
Environmental temperature	0°...60°C			
Type of protection	IP 65 according to DIN EN 60529			
Design configuration				
Materials	housing CrNiSt 1.4305			
Process connection	parts in contact with the medium made of CrNiSt 1.4305 DIN			
Electrical connection	standard plug according to DIN EN 175301-803-A			

# Pressure transmitter for standard applications - Type DME 11 -

## DIMENSIONAL DRAWING



## ELECTRICAL CONNECTION



## ORDER INFORMATION

### Measuring ranges

03	0...1,6	bar R
04	0...2,5	bar R
05	0...4	bar R
06	0...6	bar R
07	0...10	bar R
08	0...16	bar R
09	0...25	bar R
10	0...40	bar R
11	0...60	bar R
12	0...100	bar R
13	0...160	bar R
14	0...250	bar R
15	0...400	bar R
31	-1...0	bar R
32	-1...0,6	bar R
33	-1...1,5	bar R
34	-1...3	bar R
35	-1...5	bar R
36	-1...9	bar R
37	-1...15	bar R
38	-1...24	bar R

### Electrical connection

M	Round plug-in connector M 12 x 1
H	Elbow plug connector DIN 43650-A

### Process connections

85	Threaded connection G ¼ B EN 837-1
87	Threaded connection G ½ B EN 837-1
88	Threaded stud ¼-18 NPT EXT

### Electronics / output

B	4...20 mA, 2-wire
C	0...10 V DC, 3-wire

DME11

Our products are constantly in further development, therefore subjects to modifications.

PD-DME11-D-e-17-1/2